

216B/226B

Skid Steer Loaders



| | 216B | | 226B | |
|---------------------------------|------------|---------|--------------|---------|
| Engine | | | | |
| Engine Model | Cat® 3024C | | Cat® 3024C T | |
| Net Flywheel Power | 37 kW | 49 hp | 42 kW | 57 hp |
| Gross Power | 39 kW | 52 hp | 46 kW | 62 hp |
| Weights | | | | |
| Operating Weight | 2589 kg | 5709 lb | 2646 kg | 5834 lb |
| Operating Specifications | | | | |
| Rated Operating Capacity | 635 kg | 1400 lb | 680 kg | 1500 lb |

216B/226B Skid Steer Loaders

This high performance, compact machine delivers exceptional versatility, flotation, traction and stability over a wide range of terrains.

Operator Station

Operator comfort and ease of operation are designed into the operator's station from every aspect, including ergonomic features such as low-effort joystick controls and an adjustable contoured seat. **pg. 4**

High Performance Power Train

The Cat 3024C and 3024C T engines provide high engine horsepower and torque, allowing part-throttle operation for lower sound levels and lower fuel consumption. Anti-stall feature maximizes power to the drive train and work tools without stalling the engine. **pg. 6**

Advanced Hydraulic System

The hydraulic system in the Cat Skid Steer Loader is designed for maximum power and reliability. More hydraulic power means better overall performance. Fewer components mean fewer hydraulic connections and reduced chance of leaks. **pg. 7**

The Caterpillar® Skid Steer Loader, with its many work tool options, is a highly versatile, compact construction machine. It is designed to deliver traditional Cat reliability and productivity in the toughest working conditions.



Quick Coupler and Cat Work Tools

A universal work tool interface and quick coupler help make the Cat Skid Steer Loader the most versatile machine on the job site. Add the wide range of performance-matched Cat Work Tools for maximum utility and production. **pg. 8**

Serviceability

The Cat Skid Steer Loader offers quick and easy routine maintenance and service. The rear door opens 90 degrees and the cooling package tilts up out of the way for unparalleled access to the engine compartment. The cab also tilts up for easy access. **pg. 9**

Customer Support

Caterpillar dealers offer unmatched customer support, with excellent warranty programs and fast parts availability, resulting in maximum uptime and minimum repair costs. Equipment maintenance services help optimize machine performance and reliability. **pg. 10**



Operator Station

World-class operator station provides exceptional working comfort with excellent visibility, enhanced fingertip control and optimum instrumentation.



Operator Station

Low Effort Machine Controls.

Ergonomic, pilot hydraulic controls give operators precision control of the Cat Skid Steer Loader with minimal effort. The right joystick controls loader up/down and tilt control and the left joystick controls forward and reverse travel speed plus direction. Both joysticks use an intuitive “S” control pattern. Optional deluxe joysticks now provide more auxiliary controls than before, using positive-action buttons to provide

precision fingertip control of many machine functions, including:

- Proportional work tool hydraulics
- Work tool electrical

Basic and Deluxe joystick functions include:

- One-touch continuous auxiliary hydraulic flow
- Momentary auxiliary hydraulic flow

Cab Conveniences. Long hours in the Cat Skid Steer Loader are made easier by many standard conveniences, including a 12 volt DC power socket. Side, sliding windows offer protection from the elements and allow fresh air ventilation. Redesigned side windows are removable for easy cleaning. Cabs with the door option installed feature a new, automatic lock-out switch that prevents accidental damage by disabling the loader functions when the door is open.

High-Efficiency Climate Controls.

Operating in extreme temperatures can be more comfortable with the optional cab air conditioner and heater installed. Airflow is increased up to 83 percent and is now directed through six adjustable vents. Twice as many vents available make defrosting the optional front door and side windows easier. The heater and air conditioner can be ordered separately or together.

Instrumentation. Cat Skid Steer Loader instrument panels and gauges are simple, easy to use and reliable. Bright indicator lights and audible warnings signal any critical system situation. Positive feel switches, with status lights, control most on/off functions. An engine air cleaner restriction indicator is now in the cab for easier monitoring.

Visibility. Operating ease and productivity is enhanced on the Cat Skid Steer Loader with excellent visibility. The wide cab opening offers an exceptional view of the work tool. The sloped angle of the engine compartment allows excellent visibility to the rear of the machine. A new, standard convex rearview mirror gives the operator a panoramic view of the machine's rear and sides. For better visibility in low-light conditions, the standard forward lights are now adjustable 10 degrees in any direction.

Access/Egress. The Cat Skid Steer Loader cab is designed to make machine operation simple, productive and comfortable. Getting in and out of the cab is easy through a wide opening with three point grab irons and skid-resistant steps. Tilt cylinders are neatly located under the lift arms so not to interfere with operator access and egress. Plenty of uncluttered floor space makes stepping into the cab even easier.

Cab Packages. Several cab packages and options are available. The standard cab offers features such as an adjustable contoured seat, cushioned armbar, dual throttle controls, pilot operated joysticks, 12 volt DC power socket and an optional cupholder.



Excellent Visibility

High Performance Power Train

Caterpillar hystat power train delivers aggressive performance and easy operation.



Aggressive Performance

Cat Diesel Power. The heart of the Cat Skid Steer Loader power train is the Caterpillar 3024C diesel engine in the 216B and the Caterpillar 3024C Turbo diesel engine in the 226B. This rugged, reliable, four cylinder engine offers aggressive performance and a fast torque curve for quick response. It is also a low emission engine, fully U.S. EPA Tier 2 compliant.

Dual Engine Throttle Controls. The hand and foot throttles allow the operator to match engine speed to the task. The hand throttle is ideal for jobs requiring consistent engine speed — such as cold planing, trenching or snow blowing. The foot throttle lets the operator vary engine speed and minimize fuel consumption for other tasks such as load and carry, truck loading, grading and dozing.

Anti-Stall Feature. The anti-stall system on the Cat Skid Steer Loader allows maximum power to the wheels while minimizing engine stalling. This system helps maximize productivity for experienced operators and makes it easier for novice operators to become productive.

Variable-Displacement Piston Pumps. The dual, variable-displacement, axial piston pumps are driven directly off the engine and provide hydraulic flow to the drive motors via a closed loop system. Drive motors transfer mechanical power to the wheels via two high-strength, pre-stressed chains per machine side. Chains run in an oil bath for constant lubrication and long life. Chains are adjustable through slots in the axle housings.

Drive Axles. The drive axles are forged and induction hardened for maximum life. They include a unique lip and outer seal to help prevent debris such as wire and twine from wrapping around the axle and destroying the seal. An inner seal is used for permanent lubrication of axle bearings so no daily axle service is required.

Advanced Hydraulic System

Hydraulic system has built-in reliability and provides exceptional lift, breakout and auxiliary power to work tools.

Power and Reliability. Maximum power and reliability are built into the Cat Skid Steer Loader hydraulic system. In addition to providing power to drive the wheels, this system also provides the loader lift and tilt functions, powers the auxiliary circuit to drive work tools and drives the engine cooling fan.

Hydraulic Pumps. The hydraulic pumps are driven directly off the engine for maximum hydraulic performance and reliability — no belts are used. Pumps are fixed-displacement and provide flow to the loader and auxiliary circuits at 60 L/min (15.6 gal/min) at high idle. Maximum system pressure for the loader and auxiliary circuit for the 216B is 21 400 kPa and 3100 psi. Maximum system pressure for the loader and auxiliary circuit for the 226B is 23 000 kPa and 3335 psi. Two fixed displacement gear pumps provide flow and pressure for the 226B high flow loader and auxiliary circuit at 100 L/min at high idle. Maximum system pressure for the loader and auxiliary circuit is 23 000 kPa and 3334 psi.

Auxiliary Hydraulics. Standard auxiliary hydraulics to power work tools are available through quick connect hydraulic couplings that are rigidly mounted to the loader arm. The Caterpillar line of high pressure XT™ ES hoses and O-ring face seals help assure a leak free system.



Powerful and Reliable

Reliability and Cleanliness. Hydraulic system reliability and cleanliness are improved by using single components in place of multiple components, such as the monoblock hydraulic valve and monoblock pumps. Fewer leak points improve reliability and result in a cleaner machine. In addition, hydraulic oil flows through a 5-micron spin-on filter. A filter restriction indicator is located at the operator station. A 74-micron screen in the hydraulic tank prevents larger debris from entering the system and causing damage to the hydraulic components.

Hydraulic Oil Cooler. A high-efficiency hydraulic oil cooler lets the Cat Skid Steer Loader work longer and harder in higher ambient temperatures, even when using continuous high flow work tools. The high capacity, hydraulic oil reservoir also helps keep operating temperatures lower.

Quick Coupler and Cat Work Tools

Choose from a wide variety of tools that are performance matched to the Cat Skid Steer Loader.



Optional Hydraulic Quick Coupler

Quick Coupler. Work tools can be changed quickly and easily with the Cat Skid Steer Loader's quick coupler system. The universal coupler interface features:

- Low profile side plate designed for optimum match to work tools and minimal material packing
- Opposing wedges ensure a tight tool fit, even after years of use
- Rugged design and large contact area absorbs loads and minimizes stress
- Vertical pins are chrome plated and lubricated for smooth engagement and prevention of corrosion
- Coupler allows excellent visibility to work tools and unobstructed entry and exit to the cab

The standard quick coupler features manual engagement and disengagement of work tools using two high leverage handles.

An optional hydraulic quick coupler is also available and allows engagement and disengagement of work tools without the operator needing to exit the machine. Control of the coupler by use of a rocker switch inside the cab makes work tool changes quicker and easier.



Cat SG16B Stump Grinder

Cat Work Tools. Cat Work Tools extend the versatility of the Cat Skid Steer Loader. Designed and built for optimum performance and durability, these tools deliver high productivity, long service life and excellent value:

- Angle Blades
- Augers
- Backhoes

- Brooms
- Buckets
 - Dirt
 - General purpose
 - Grapple
 - Light material
 - Multi purpose
 - Utility
- Cold planers
- Compactor, vibratory
- Hammers
- Landscape rakes
- Landscape tillers
- Material handling arm
- Pallet forks
- Snowblower
- Stump grinder
- Trenchers
- Wheel saw

Serviceability

Quick access and superior design make the Cat Skid Steer Loader easy to service and maintain.

Service Access. The rear door opens 90 degrees for easy access to both sides of the in-line (lengthwise) mounted engine.

Filters. All filters are easily accessible, which makes routine service quicker and virtually spill free.

Cooling System. The radiator, hydraulic oil cooler and grill tilt up to increase access to the cooling system during maintenance and allows easier cleaning of debris from between the grill and cooling package. The cooling fan is hydraulically-driven for quieter operation and to eliminate the service and maintenance that comes with belt driven fans.

Easy Tilting Cab. The machine cab can now be tilted rearward by an individual using a single tool. The cab is held in place by a self-latching mechanism. When the cab is tilted back, all hydraulic pumps, motors, valves, lines and fuel tank are accessible for quicker, easier service.

Removable Belly Pan. A removable belly pan section on the floor of the machine's lower frame provides excellent access for periodic cleaning.

Electrical and Hydraulic Lines. Cleaner routing of electrical and hydraulic lines compared to former models improves reliability and simplifies service.

Maintenance Points. Maintenance points are grouped in easily accessible locations.

Caterpillar Scheduled Oil Sampling (S-O-SSM). The scheduled oil sampling valves are standard to allow regular monitoring of the engine and hydraulic oil quality.



Serviceability Access

Other Standard Service Features.

The following help make servicing fast and easy:

- Easy access to battery, air filter and single engine belt
- Sight glasses on hydraulic tank and radiator allow quick, easy level checks
- Air filter restriction indicator are now located inside the operator station
- Ecology drains simplify changing engine and hydraulic oil
- Grease fittings are countersunk to prevent damage
- Extended life coolant and 250-hour engine oil change intervals

Customer Support

Cat dealer services help you operate longer with lower costs.



Worldwide Parts Availability

Machine Selection. With 10 different Cat Skid Steer Loaders to choose from, selecting the right machine is even easier when you consult your Caterpillar dealer. Your dealer helps you make detailed machine comparisons before you purchase.

You can also build the machine that is right for you. Go on-line anytime to review the full range of features and options available using the Build and Quote application on your Cat dealer's website or www.cat.com.

Purchase Options. Purchase options let you look beyond the initial machine price. With your Cat dealer, you can review available financing options plus look at day-to-day operating costs. You can also look at dealer services that can be included in the cost of the machine to yield lower equipment owning and operating costs over the life of the machine.

Customer Support Agreements. Customer Support Agreements offer you a variety of service and maintenance options that can be customized to best fit your specific needs. These can cover the entire machine and included work tools to help protect your investment.

Machine Support. Machine support is one of your Cat dealer's primary goals. You'll find nearly all parts at your Cat dealer. If not, your dealer can use the Caterpillar worldwide computer network to locate the closest in-stock parts to minimize any machine downtime. Your Cat dealer can also save you money by suggesting Cat Remanufactured parts that carry the same warranty as new but with savings of 40 to 70 percent.

Service Plans. Maintenance Service Plans help you manage machine maintenance. Choose from a wide range of maintenance plans and services at the time you purchase a machine. Repair option plans guarantee the cost of repairs up front. Diagnostics programs such as Scheduled Oil Sampling, Coolant Sampling and Technical Analysis help you avoid downtime and unscheduled repairs.

Training. Operator training by Cat dealers can improve your operator's techniques and help boost your profits. Your Cat dealer also has training video tapes, literature, application and equipment training courses, plus other ideas to help you maximize your machine investment.

Security Systems. Cat machine security systems help you manage your Cat Skid Steer Loader. This dealer-installed option provides control of machine access by untrained operators or unauthorized personnel. Use up to 50 unique key ID's to customize machine access to fit your needs. You can program this system to allow access only during certain hours or days.

Repair, Rebuild or Replace. The repair, rebuild or replace choices become even more evident when you consult your Caterpillar dealer. Your Cat dealer can help evaluate the costs involved so you can make the right decision every time.

Engine

Engine Model

| | |
|--------|-------------|
| - 216B | Cat 3024C |
| - 226B | Cat 3024C T |

Gross Power SAE J1995

| | | |
|--------|-------|-------|
| - 216B | 39 kW | 52 hp |
| - 226B | 46 kW | 62 hp |

Engine Power ISO 14396

| | | |
|--------|-------|-------|
| - 216B | 38 kW | 51 hp |
| - 226B | 46 kW | 61 hp |

Net Power 80/1269/EEC

| | | |
|--------|-------|-------|
| - 216B | 37 kW | 50 hp |
| - 226B | 43 kW | 57 hp |

Net Power ISO 9249

| | | |
|--------|-------|-------|
| - 216B | 37 kW | 50 hp |
| - 226B | 43 kW | 57 hp |

Net Power SAE 1349

| | | |
|--------|-------|-------|
| - 216B | 37 kW | 49 hp |
| - 226B | 42 kW | 57 hp |

Displacement

| | | |
|-------------|-------|---------------------|
| - 216B/226B | 2.2 L | 134 in ³ |
|-------------|-------|---------------------|

Stroke

| | | |
|-------------|--------|--------|
| - 216B/226B | 100 mm | 3.9 in |
|-------------|--------|--------|

Bore

| | | |
|-------------|-------|--------|
| - 216B/226B | 84 mm | 3.3 in |
|-------------|-------|--------|

Weights

Operating Weight

| | | |
|--------|---------|---------|
| - 216B | 2589 kg | 5709 lb |
| - 226B | 2646 kg | 5834 lb |

Operating Weight (HF)

| | | |
|--------|---------|---------|
| - 226B | 2677 kg | 5903 lb |
|--------|---------|---------|

Operating Specifications

Rated Operating Capacity

| | | |
|--------|--------|---------|
| - 216B | 635 kg | 1400 lb |
| - 226B | 680 kg | 1500 lb |

Rated Operating Capacity w/Optional Counterweight

| | | |
|--------|--------|---------|
| - 216B | 680 kg | 1500 lb |
| - 226B | 726 kg | 1600 lb |

Tipping Load

| | | |
|--------|---------|---------|
| - 216B | 1270 kg | 2800 lb |
| - 226B | 1360 kg | 3000 lb |

Breakout Force, Tilt Cylinder

| | | |
|--------|---------|---------|
| - 216B | 1717 kg | 3787 lb |
| - 226B | 1852 kg | 4084 lb |

Breakout Force, Lift Cylinder

| | | |
|--------|---------|---------|
| - 216B | 1386 kg | 3057 lb |
| - 226B | 1515 kg | 3341 lb |

Breakout Force, Lift Cylinder (HF)

| | | |
|--------|---------|---------|
| - 226B | 1499 kg | 3306 lb |
|--------|---------|---------|

Dimensions shown are based on standard machine equipped with optional 10 × 16.5 PR tires and 1524 mm (60 in) Dirt Bucket. The specifications for the Cat 216B/226B are static and conform to SAE J732 JUN 92, SAE J818 MAY87 and ISO 5998:1986.

Hydraulic System

Hydraulic Flow

| | |
|--------|---------------|
| - 216B | Standard |
| - 226B | Standard Flow |

Hydraulic Flow

| | |
|--------|-----------|
| - 226B | High Flow |
|--------|-----------|

Loader Hydraulic Pressure

| | | |
|--------|------------|----------|
| - 216B | 21 400 kPa | 3100 psi |
| - 226B | 23 000 kPa | 3335 psi |

Loader Hydraulic Flow

| | | |
|-------------|----------|--------------|
| - 216B/226B | 60 L/min | 15.6 gal/min |
|-------------|----------|--------------|

Loader Hydraulic Flow (HF)

| | | |
|--------|-----------|------------|
| - 226B | 100 L/min | 26 gal/min |
|--------|-----------|------------|

Hydraulic Power

| | | |
|--------|---------|---------|
| - 216B | 21.4 kW | 28.2 hp |
| - 226B | 23.0 kW | 30.4 hp |

Hydraulic Power (HF)

| | | |
|--------|---------|---------|
| - 226B | 37.7 kW | 50.6 hp |
|--------|---------|---------|

Cab

ROPS

| | |
|-------------|--------------------------------------|
| - 216B/226B | SAE J1040 MAY94 and ISO 3471:1994 |
|-------------|--------------------------------------|

FOPS

| | |
|-------------|--|
| - 216B/226B | SAEJ/ISO 3449 APR98 Level I, ISO 3449:1992 Level I |
|-------------|--|

FOPS Level II

| | |
|-------------|--|
| - 216B/226B | SAEJ/ISO 3449 APR 98 Level II, ISO 3449:1992 Level II (optional) |
|-------------|--|

Power Train

Travel Speed

| | | |
|-------------|----------|---------|
| - 216B/226B | 12.7 kph | 7.9 mph |
|-------------|----------|---------|

Travel Speed Reverse

| | | |
|-------------|----------|---------|
| - 216B/226B | 12.7 kph | 7.9 mph |
|-------------|----------|---------|

Service Refill Capacities

Chain box, each side

| | | |
|-------------|-----|---------|
| - 216B/226B | 6 L | 1.6 gal |
|-------------|-----|---------|

Cooling System

| | | |
|-------------|------|---------|
| - 216B/226B | 10 L | 2.6 gal |
|-------------|------|---------|

Engine Crankcase

| | | |
|-------------|-----|---------|
| - 216B/226B | 8 L | 2.1 gal |
|-------------|-----|---------|

Fuel Tank

| | | |
|-------------|------|--------|
| - 216B/226B | 65 L | 17 gal |
|-------------|------|--------|

Hydraulic System

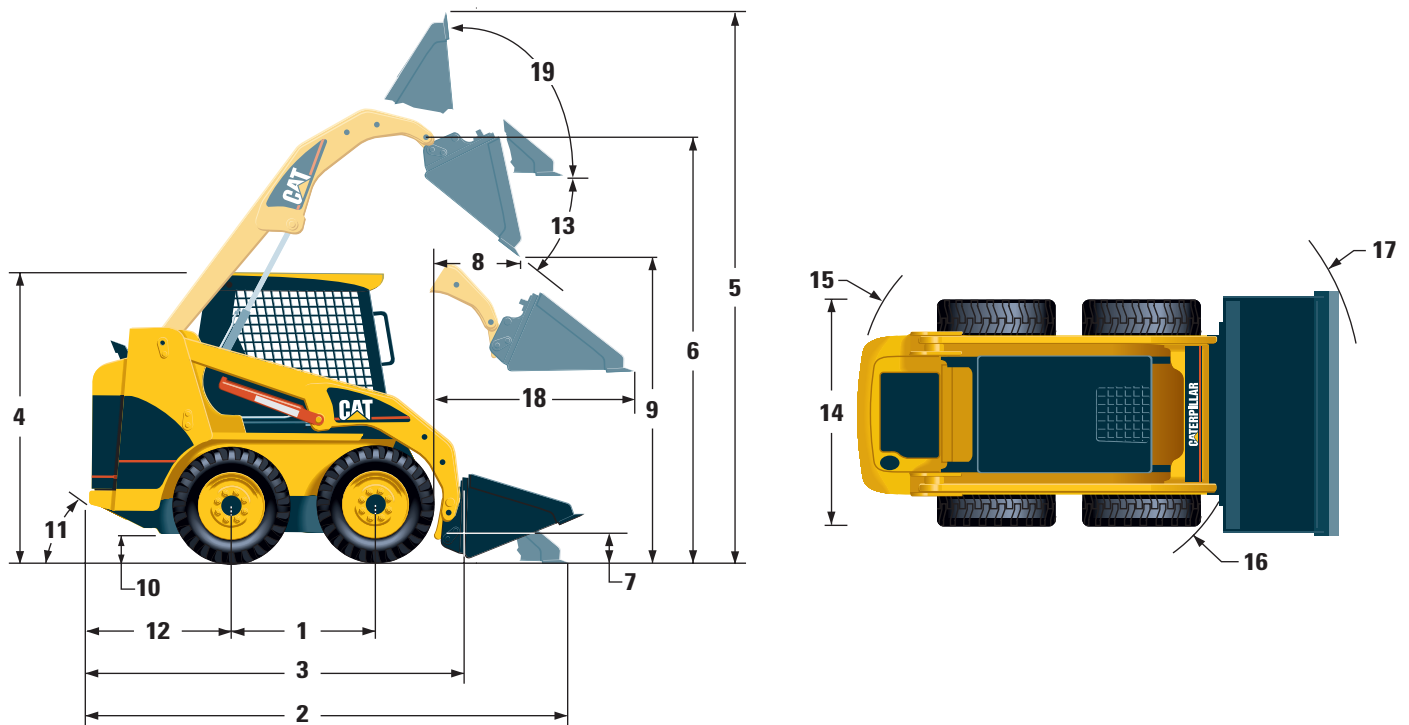
| | | |
|-------------|------|----------|
| - 216B/226B | 55 L | 14.5 gal |
|-------------|------|----------|

Hydraulic Tank

| | | |
|-------------|------|---------|
| - 216B/226B | 35 L | 9.2 gal |
|-------------|------|---------|

Dimensions

All dimensions are approximate.



| | | | |
|-----------|------------------------------------|---------|--------|
| 1 | Wheelbase | 986 mm | 39 in |
| 2 | Length w/Bucket on ground | 3233 mm | 127 in |
| 3 | Length w/o Bucket | 2519 mm | 99 in |
| 4 | Height to top of Cab | 1950 mm | 77 in |
| 5 | Max Overall Height | 3709 mm | 146 in |
| 6 | Hinge Pin Height at max lift | 2854 mm | 112 in |
| 7 | Hinge Pin Height at carry position | 239 mm | 9.3 in |
| 8 | Reach at max lift and dump | 505 mm | 20 in |
| 9 | Clearance at max lift and dump | 2169 mm | 85 in |
| 10 | Ground Clearance | 195 mm | 8 in |
| 11 | Departure Angle | 26° | |

| | | | |
|-----------|-------------------------------------|---------|---------|
| 12 | Bumper Overhang behind rear axle | 967 mm | 38 in |
| 13 | Maximum Dump Angle | 40° | |
| 14 | Vehicle Width over tires | 1525 mm | 60 in |
| 15 | Turning Radius from center — left | 1485 mm | 58.5 in |
| 16 | Turning Radius from center — right | 1199 mm | 47.2 in |
| 17 | Turning Radius from center — full | 1940 mm | 76.4 in |
| 18 | Max Reach w/Arms Parallel to ground | 1280 mm | 50.4 in |
| 19 | Rack Back Angle at max height | 96.7° | |

Standard Equipment

Standard equipment may vary. Consult your Caterpillar dealer for details.

CONTROLS

- Pilot Operated Implement Control, RH
- Pilot Operated Hydrostatic Transmission Control, LH
- Hand and Foot Throttle

ELECTRICAL

- 12 volt Electrical System
- 65 ampere Alternator (216B only)
- 85 ampere Alternator (226B only)
- Ignition Key Start/Stop Switch
- Lights:
 - Gauge Backlighting
 - Two Rear Tail Lights
 - Two Adjustable Front Halogen Lights
 - Dome Light

OPERATOR ENVIRONMENT

- Gauges:
 - Fuel Level
 - Hour Meter
- Operator Warning System Indicators:
 - Air Filter Restriction
 - Alternator Output
 - Armrest Raised/Operator Out of Seat
 - Engine Coolant Temperature
 - Engine Oil Pressure
 - Glow Plug Activation
 - Hydraulic Filter Restriction
 - Hydraulic Oil Temperature
 - Park Brake Engaged
- Adjustable Vinyl Seat
- Pull Down Ergonomic Contoured Armrest
- Control Interlock System, when operator leaves seat or armrest raised:
 - Hydraulic System Disables
 - Hydrostatic Transmission Disables
 - Parking Brake Engages
- ROPS Cab, Open, Tilt Up
- FOPS, Level I
- Top and Rear Windows
- Interior Rear View Mirror
- 12 volt Electric Socket

POWER TRAIN

- Caterpillar 3024C Diesel Engine (216B only)
- Caterpillar 3024C T Diesel Engine (226B only)
 - Drain, Engine Oil Ecology
 - Fuel Priming Pump
 - Glow Plugs Starting Aid
 - Liquid Cooled, Direct Injection
- Air Cleaner, Dual Element, Radial Seal
- S•O•SSM Sampling Valves, Engine Oil and Hydraulic Oil
- Filter, Spin-on, Hydraulic
- Filters, Bayonet-Type, Fuel and Water Separator
- Tilt Up Radiator/Hydraulic Oil Cooler
- Muffler, Standard
- Spring Applied, Hydraulically Released,
 - Wet Multi Disc Parking Brakes
- Hydrostatic Transmission
- Four Wheel Chain Drive

OTHER STANDARD EQUIPMENT

- Engine Enclosure — Lockable
- Extended Life Antifreeze -36° C (-33° F)
- Machine Tie Down Points (4)
- Coupler, Mechanical
- Support, Lift Arm
- Hydraulic Oil Level Sight Gauge
- Radiator Coolant Level Sight Gauge
- Radiator Expansion Bottle
- XTTM Hose
- Auxiliary, Hydraulics, Continuous Flow, 226B High Flow
- Heavy Duty, Flat Faced Quick Disconnects
- Split D-Ring to route Work Tool hoses along
 - side left lift arm
- Electrical Outlet, Beacon
- Belly Pan Cleanout

Optional Equipment

Optional equipment may vary. Consult your Caterpillar dealer for details.

Alarm, Backup
Battery, Heavy Duty, 880 CCA
Belt, Seat, 75 mm (3 in), for Static Seat
Belt, Seat, 75 mm (3 in), for Suspension Seat
Control Groups
 Horn
 Work Tool Electrical (C1/C2 Switch)
 Proportional
Counterweight, increases rated operating capacity
 45 kg (100 lb)
Debris Barrier
Door, Front, Safety Glass with Wiper-Washer
Door, Front, Polycarbonate with Wiper-Washer
 (for Demolition use)
Floormat, Deluxe
FOPS, Level II (Attaches to existing FOPS)
Headliner
Heater and Defroster
 Air Conditioning, Heater, Defrost (226B only)
Engine, Coolant Heater
High Flow Hydraulics (226B only)
Hydraulics, Auxiliary, Front, Proportional
Hydraulics, Self-Leveling
Hydraulic Quick Coupler
Lifting Eye, Single Point

Lifting Eyes, Four Point
Lights, Warning Beacon (with Switch)
Lights, Rear Working
Oil, Hydraulic, Cold Climate
Seat, Suspension
Window, Side, Sliding
Tires:
 1372 mm (54 in) Width (216B only)
 7.00 × 15 6 PR Cat (216B only)
 1524 mm (60 in) Width
 10 × 16.5 8 PR Cat
 265-521, 8 PR Cat, LSW
 10 × 16.5 6 PR GY SGL
 10 × 16.5 8 PR GY IT323
 10 × 16.5 8 PR Galaxy
 10 × 16.5 10 PR Michelin
 10 × 16.5 10 PR Cat XD
 31 × 6 × 10 Cat Flexport
 1676 mm (66 in) Width
 265-521, 8 PR Cat, LSW
 10 × 16.5 6 PR GY SGL
 10 × 16.5 8 PR GY IT323
 10 × 16.5 8 PR Galaxy
 31-15.5 × 16.5 8 PR Cat
 10 × 16.5 10 PR Michelin
 10 × 16.5 10 PR Cat XD
 31 × 6 × 10 Cat Flexport

216B/226B Skid Steer Loaders

For more complete information on Cat products, dealer services,
and industry solutions, visit us on the web at www.cat.com

© 2005 Caterpillar
All Rights Reserved
Printed in U.S.A.

Materials and specifications are subject to change without notice.
Featured machines in photos may include additional equipment.
See your Caterpillar dealer for available options.

AEHQ5564-01 (09-05)

Replaces 216 AEHQ5351-04, 226 AEHQ5352-02

CAT, CATERPILLAR, their respective logos, and "Caterpillar Yellow," as
well as corporate and product identity used herein, are trademarks of
Caterpillar and may not be used without permission.

CATERPILLAR[®]